

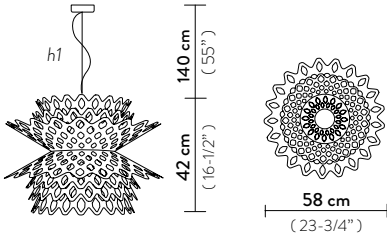


DESERT ROSE



by Doriana and Massimiliano Fuksas

Compendium page 114

PRODUCT	SIZE	COLOUR	CODE
<p>SUSPENSION</p> <p>LED:</p> <p>35W - 220V - 3.500 Lumen</p> <p>2700 Kelvin (warm white) - CRI 90</p> <p>Triac Dimmable (Trailing Edge min. 20W)</p> <p>Made of: Cristlaflex® or Goldflex® and Lentiflex®</p> <p>Weight: net Kg 2,2 - gross Kg 6</p> <p>Package: 80 x 80 x h25cm</p> <p>CE IP 20  </p>	 <p><i>h1</i>: maximum cable length</p>	<p><input type="checkbox"/> WHITE</p> <p><input checked="" type="checkbox"/> GOLD</p>	<p>DES88SOS0000W_000</p> <p>DES88SOS00000_000</p>

DESERT ROSE ENTIRE COLLECTION



This luminaire contains built-in LED lamps.  

The lamp can be changed in the luminaire.

SLAMP: DESERT ROSE

874/2012

