

La Petite - Black



IP20  

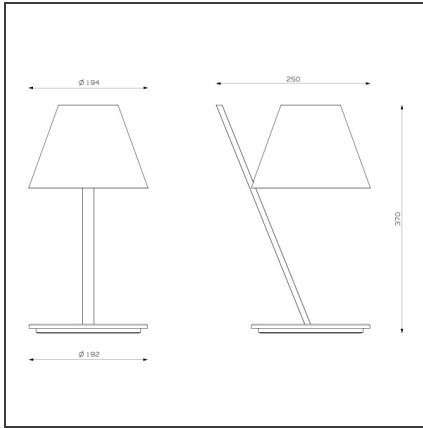
DESIGN BY

Quaglio Simonelli

DESCRIPTION

An archetypal lampshade balanced on a tilted stem. Simple elements, exquisitely combined into an amazing geometric composition, recall basic forms matched with different materials for technological reasons. Despite its plain and simple look, this lamp clearly conveys the skills of Artemide. The lampshade is a lightweight plastic volume closed by two diffusers that produce a pleasant soft direct and indirect light. The joint connects the lampshade with the aluminium stem on a minimal support. These simple elements are combined into a plain and elegant object, where the tilted stem is counterbalanced by the lampshade's volume.

TECHNICAL DRAWINGS



FEATURES

Article Code:	1751030A	Material:	polycarbonate, aluminium, methacrylate
Colour:	Black	Series:	Design
Installation:	Table		
Environment:	Indoor		

DIMENSIONS

Length:	cm 25	Glow Wire Test:	650
Width:	cm 19.4		
Height:	cm 37		
Base Diameter:	cm 19.2		

SOURCES NOT INCLUDED

Category:	LED	Color temperature (K):	2700K
Number:	1	CRI:	80
Watt:	6W	Service Life:	L70(6K) > 25000h
Type:	2		
Socket:	E14		
Class:	A		

LUMINAIRE

Watt:	6W	Delivered lumens output (lm):	326lm
		CCT:	2700K
		Efficiency:	65%
		Efficacy:	54lm/W
		CRI:	80