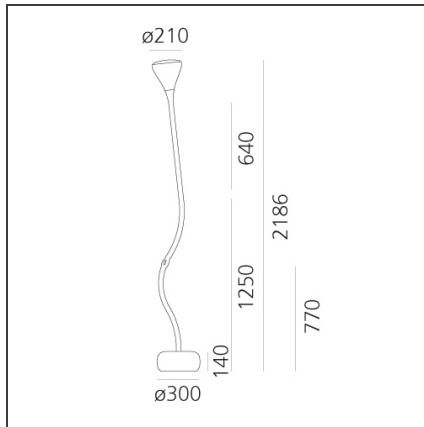


Pipe Floor LED 2700K



IP20   

TECHNICAL DRAWINGS



DESIGN BY

Herzog & De Meuron

DESCRIPTION

Steel base "soft touch" effect painted; stem covered by a natural platinum silicone sheath (antiyellowing); diffuser in transparent polycarbonate with rubber-effect coat; transparent lens; internal reflector made of specular aluminium with random perforations. The new internal diffuser is reinterpreting the old fluorescent lamp using a modern LED source, this guarantees the same optical performance with less power consumption and a better quality of light.

FEATURES

Article Code:	0670W10A	Material:	Polycarbonate, steel, silicon
Colour:	Trasparent	Series:	Design
Installation:	Floor	Area contract:	Hospitality, null, Office, Residential
Environment:	Indoor	Emission:	Adjustable Direct And Diffused

DIMENSIONS

Height:	cm 220	Glow Wire Test:	960
Base Diameter:	cm 30		

INCLUDED SOURCES

Category:	LED	Color temperature (K):	2700K
Number:	1	Color Tolerance:	MacAdam 2SDCM
Watt:	24.2W	CRI:	90
Delivered lumens output (lm):	2607lm	Efficacy:	108lm/W
Type:	0	Service Life:	50000-L70
Class:	A		

LUMINAIRE

Watt:	27W	Delivered lumens output (lm):	1763lm
Voltage:	220-240V	CCT:	2700K
		Efficiency:	67%
		Efficacy:	65.30lm/W
		CRI:	90
		Dimmer Typology:	Microswitch Dimmer

Notes

The body lamp is a single tubular steel structure, composed of a rigid lower part and an adjustable higher part. Touch dimmer placed on the steel.