




BERENICE LED

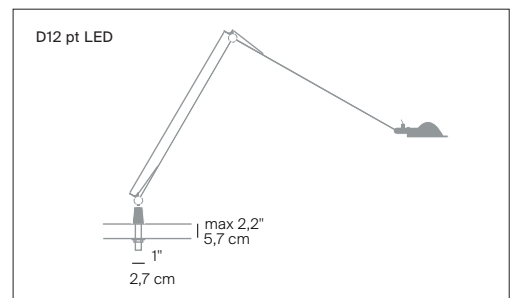
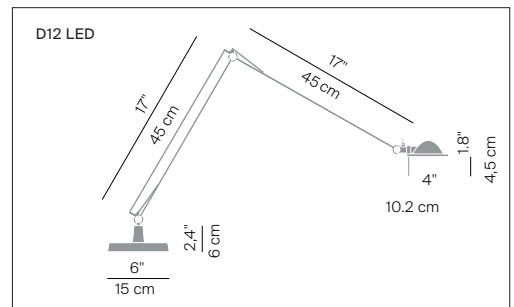
design Alberto Meda/Paolo Rizzatto, 2007

**LUCE
PLAN**

| | | |
|--------------|---|--------|
| Type: | Table | |
| Lamps: | LED 8W 3000K ⁽¹⁾ 250 lm | EEL: A |
| Product use: | Indoor | |
| Materials: | Aluminium body, die-cast aluminium metal parts, die-cast magnesium head. | |
| Colors: | Structure in aluminium, black | |
| Description: | A new light source for a Luceplan classic. Berenice comes with a new high-efficiency LED 8W source capable of providing an extraordinary quantity of energy-saving light. | |

Insulation class:   

| | | | |
|-----------------|-----------|--------------|-------|
| Reference code: | Structure | | |
| | D12 LED | 1D120=NCL020 | alu |
| | | 1D120=NCL001 | black |
| | D12pt LED | 1D120=NPL020 | alu |
| | | 1D120=NPL001 | black |



⁽¹⁾ The LED lamps cannot be changed in the luminaire
Power consumption by device

