


Choose Wall IP23 - Parchment



IP23    
Dimmerable: +  -

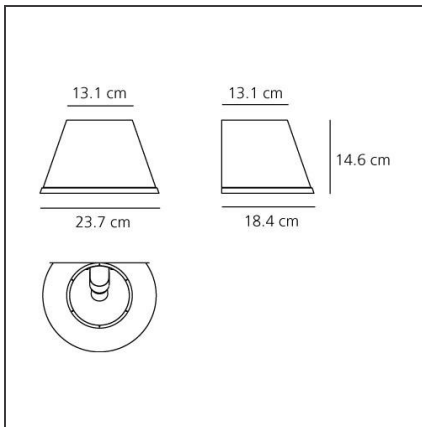
DESIGN BY

Matteo Thun

DESCRIPTION

The design of the transparent antistatic polycarbonate diffuser is embellished with vertical internal slits, which, as well as giving it greater aesthetic value, also allow a better light diffusion. The diffuser is covered by parchment paper; grey painted metal structure.

TECHNICAL DRAWINGS



FEATURES

Article Code:	1142020A	Material:	polycarbonate, parchment
Colour:	Transparent + Natural	Series:	Design, Scenarios
Installation:	Table, Floor, Wall, Suspension	Area contract:	Hospitality
Environment:	Indoor	Emission:	Direct Spot

DIMENSIONS

Width:	cm 23.7	Impact Resistance:	N/D
Height:	cm 14.6	Glow Wire Test:	750
Depth:	cm 18.4		

NOT INCLUDED SOURCES

Category:	HALO	Color Rendering:	1a
Number:	1	Color temperature (K):	2800K
Watt:	46W		
Lbs:	Qt26		
Socket:	E14		

ALTERNATIVE SOURCES

Category:	LED
Number:	1
Watt:	6W
Delivered lumens output (lm):	470lm
Type:	2
Socket:	E14
Class:	A

LUMINAIRE

Watt:	46W	Delivered lumens output (lm):	630lm
Voltage:	220V-240V	CCT:	3000K

Notes

On/off switch on body lamp.