

Choose Floor - Parchment/Gray anthracite



IP20

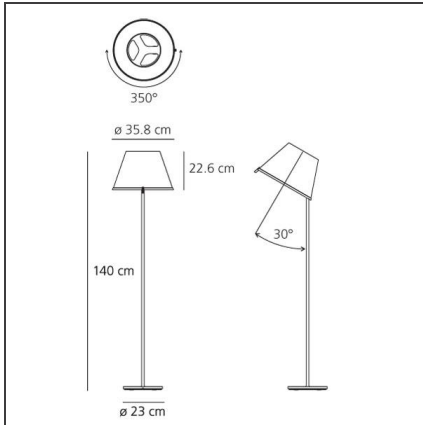
DESIGN BY

Matteo Thun

DESCRIPTION

Base in zamac, painted metal structure, adjustable diffuser in thermoformed material joined with parchment paper.

TECHNICAL DRAWINGS



FEATURES

| | | | |
|----------------------|--------------------------------|-----------------------|--|
| Article Code: | 1136020A | Material: | Polycarbonate, parchment paper, steel, zamak |
| Colour: | Parchment/Gray anthracite | Series: | Design, Scenarios |
| Installation: | Table, Floor, Wall, Suspension | Area contract: | Hospitality |
| Environment: | Indoor | Emission: | Direct Spot |

DIMENSIONS

| | | | |
|-----------------------|--------|------------------------|-----|
| Height: | cm 140 | Glow Wire Test: | 750 |
| Base Diameter: | cm 23 | | |

NOT INCLUDED SOURCES

| | | | |
|------------------|------|-------------------------|-------|
| Category: | HALO | Color Rendering: | 2800K |
| Number: | 2 | | |
| Watt: | 57W | | |
| Socket: | E27 | | |

ALTERNATIVE SOURCES

| | |
|------------------|-----|
| Category: | LED |
| Number: | 2 |
| Watt: | 8W |
| Type: | 2 |
| Socket: | E27 |
| Class: | A |

LUMINAIRE

| | | | |
|-----------------|-----------|--------------------------------------|--------|
| Watt: | 104W | Delivered lumens output (lm): | 1640lm |
| Voltage: | 220V-240V | CCT: | 2800K |