

## PRODUCT DATA SHEET

### Onfale tavolo piccolo

**DESIGN BY :**

Luciano Vistosi  
1978

**MATERIALS :**

Opaline blown glass, transparent crystal

**DESCRIPTION :**

Body and diffuser in opaline blown glass. Transparent crystal edge added.

**Light emission**

Diffused



### TECHNICAL DATA SHEET

**FEATURES**

Product name:	Onfale tavolo piccolo
Article Code:	<b>A006400</b>
Colour:	White
Material:	Opaline blown glass, transparent crystal
Series:	Design
Environment:	Indoor
Area contract:	

**OPTICS**

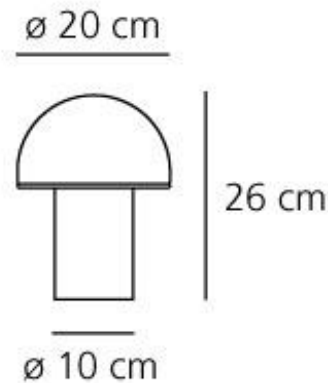
Emission:	Diffused
-----------	----------

**DIMENSIONS**

Height:	(cm) 26
Cutout width:	(cm) 20
Base Diameter:	(cm) 10
Cutout shape:	

**LAMPS NOT INCLUDED**

Category:	HALO
Number:	1
Lbs:	Qt26
Watt:	42
Socket:	E14
Type:	N/s
Colour Rendering:	1a
Colour temperature (K):	N/s

**DIMENSIONS****LAMP****ELECTRICAL**

Voltage:	220V-240V
----------	-----------