

**Dioscuri table 14 (G9)**



IP20

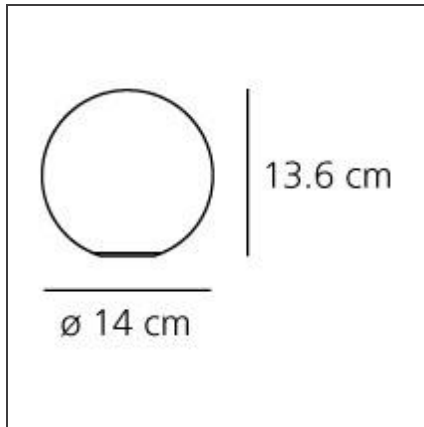
**DESIGN BY**

Michele De Lucchi

**DESCRIPTION**

Materials: Polycarbonate base with steel ballast; acid-etched blown glass diffuser.

**TECHNICAL DRAWINGS**



**FEATURES**

<b>Article Code:</b>	1034010A	<b>Material:</b>	blown glass, polycarbonate, steel
<b>Colour:</b>	White	<b>Series:</b>	Design
<b>Installation:</b>	Table	<b>Area contract:</b>	Residential
<b>Environment:</b>	Indoor	<b>Emission:</b>	Diffused

**DIMENSIONS**

<b>Height:</b>	cm 13.6	<b>Glow Wire Test:</b>	850
----------------	---------	------------------------	-----

**NOT INCLUDED SOURCES**

<b>Category:</b>	HALO	<b>Color Rendering:</b>	100
<b>Number:</b>	1	<b>Color temperature (K):</b>	2800K
<b>Watt:</b>	33W	<b>Class:</b>	A
<b>Lbs:</b>	Qt14		
<b>Socket:</b>	G9		

**ALTERNATIVE SOURCES**

<b>Category:</b>	LED
<b>Number:</b>	1
<b>Watt:</b>	2,3W
<b>Delivered lumens output (lm):</b>	200lm
<b>Type:</b>	2
<b>Socket:</b>	G9
<b>Class:</b>	A

**LUMINAIRE**

<b>Watt:</b>	33W	<b>Delivered lumens output (lm):</b>	660lm
<b>Voltage:</b>	220V-240V	<b>CCT:</b>	3000K
		<b>Efficiency:</b>	89%
		<b>Efficacy:</b>	14lm/W
		<b>CRI:</b>	99